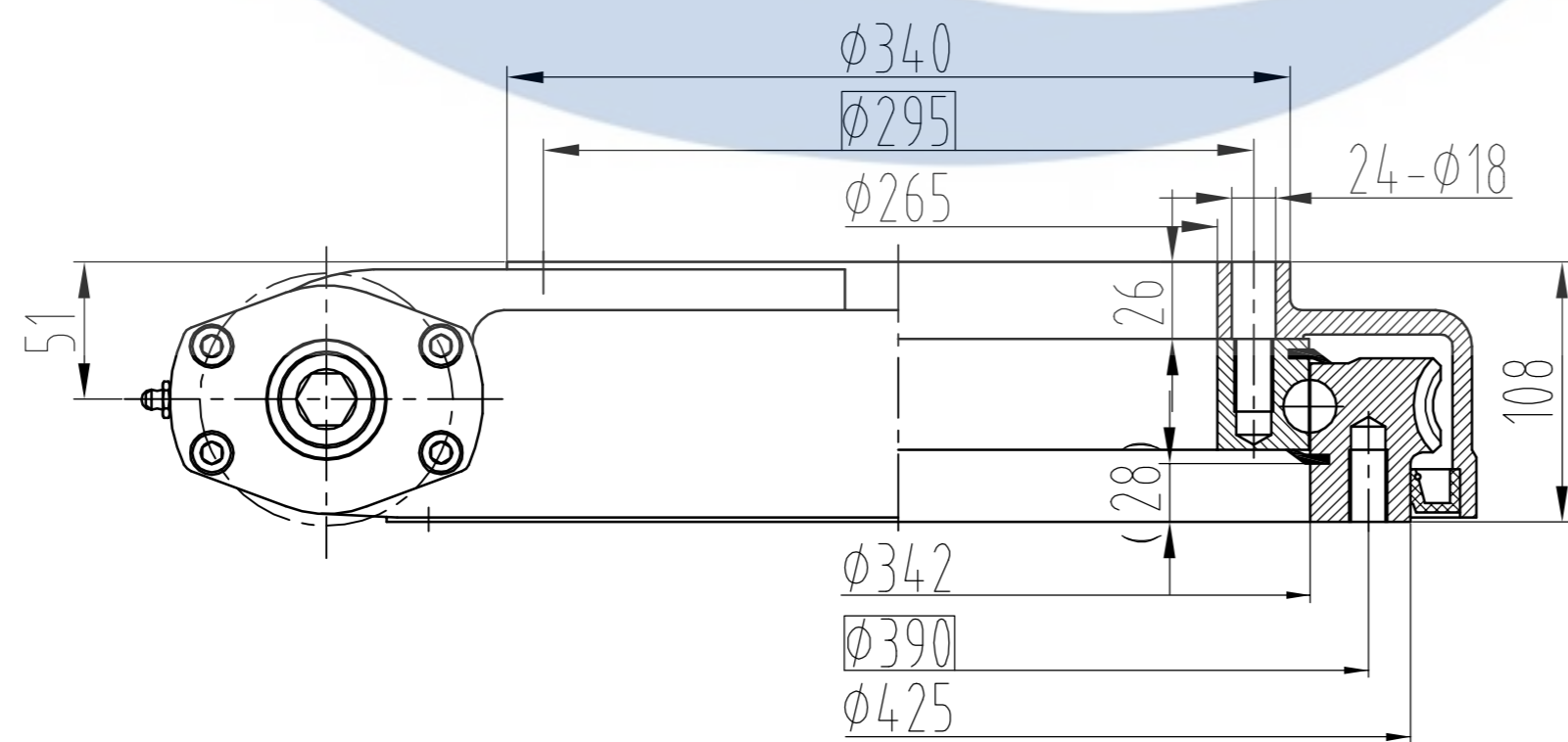
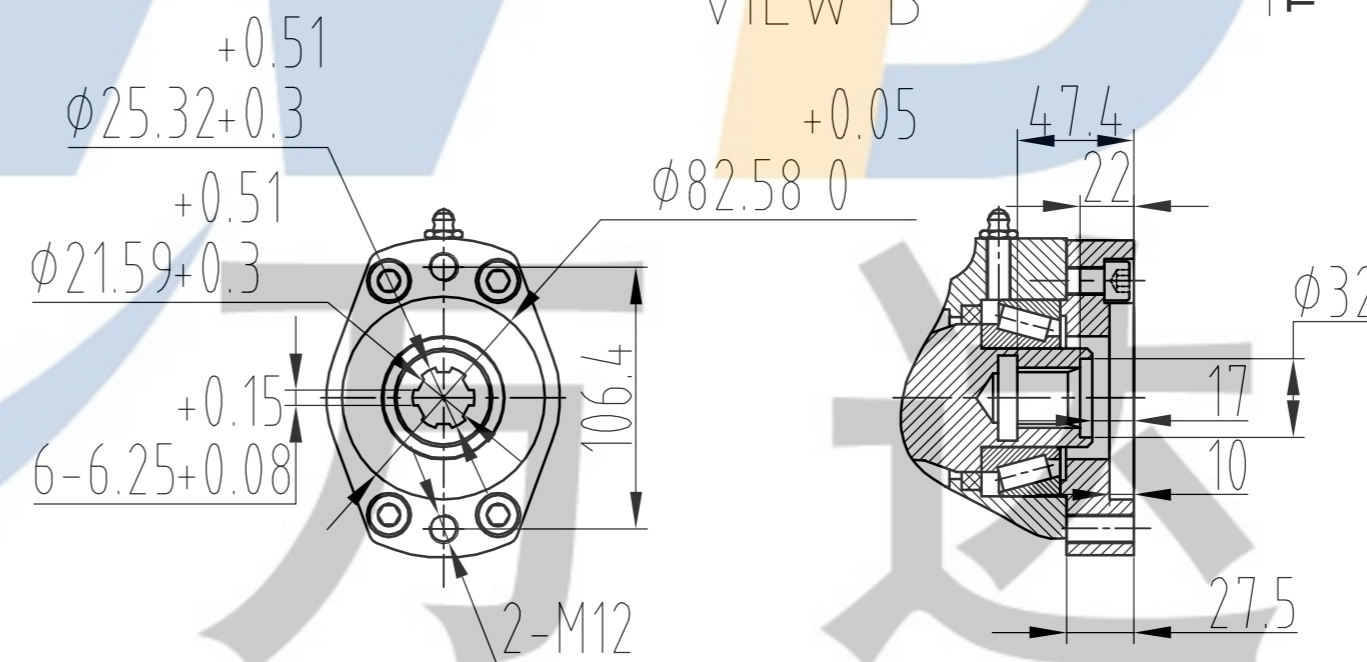
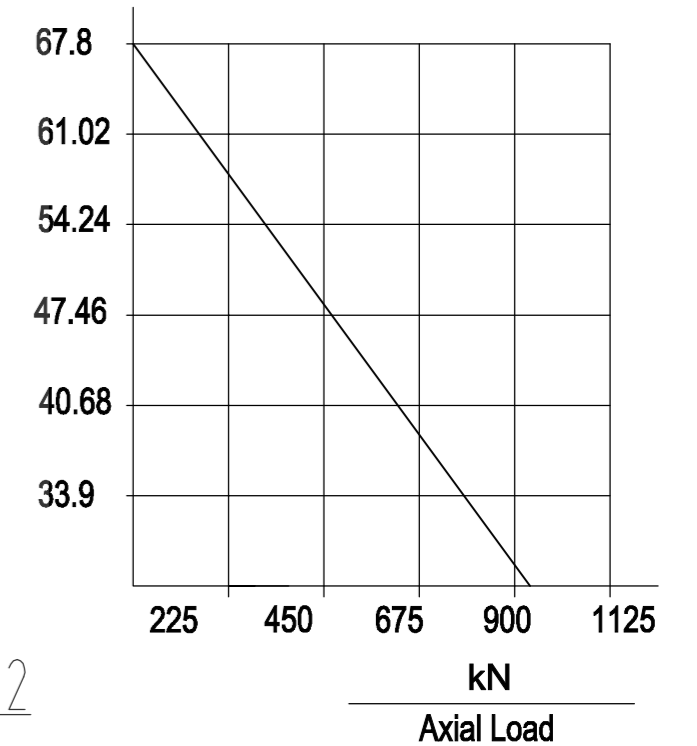


Slewing Drive Performance Data	
Gear Ratio	86:1
Rated Output Speed	<3 rpm
Rated Output Torque	10.8 kN.m
Tilting Moment Torque	67.8 KN.m
Holding Torque	48 KN.m
Static Axial Rating	920 kN
Static Radial Rating	343 kN
Dynamic Axial Rating	220 kN
Dynamic Radial Rating	190 kN
Tracking Precision	≤0.13°
Self Locking Gears	Yes
Weight	75 kg

MOMENT LOAD CHART
Axial Load & Tilting Moment



REV	DATE	REVISER	DESCRIPTION		
DESIGNED BY			Xuzhou Wanda Slewing Bearing Co.,Ltd.		
CHECKED BY			www.slew-bearing.com		
APPROVED BY			Tel: +86-516-83309366 Fax: +86-516-83915766		
ALL PROPRIETARY RIGHTS IN THE SUBJECT MATTER HERE OF ARE RESERVED, AND NO PERMISSION IS GRANTED OR TO DISCLOSE REPRODUCE THIS PRINT IN WHOLE OR IN PART, ANY OF THE INFORMATION TO OTHERS.			WEIGHT	SCALE	SLEWING DRIVE
SYMBOL ISO			SIZE	1/1	
			SHEET	1/1	WEA14-86-BH-R