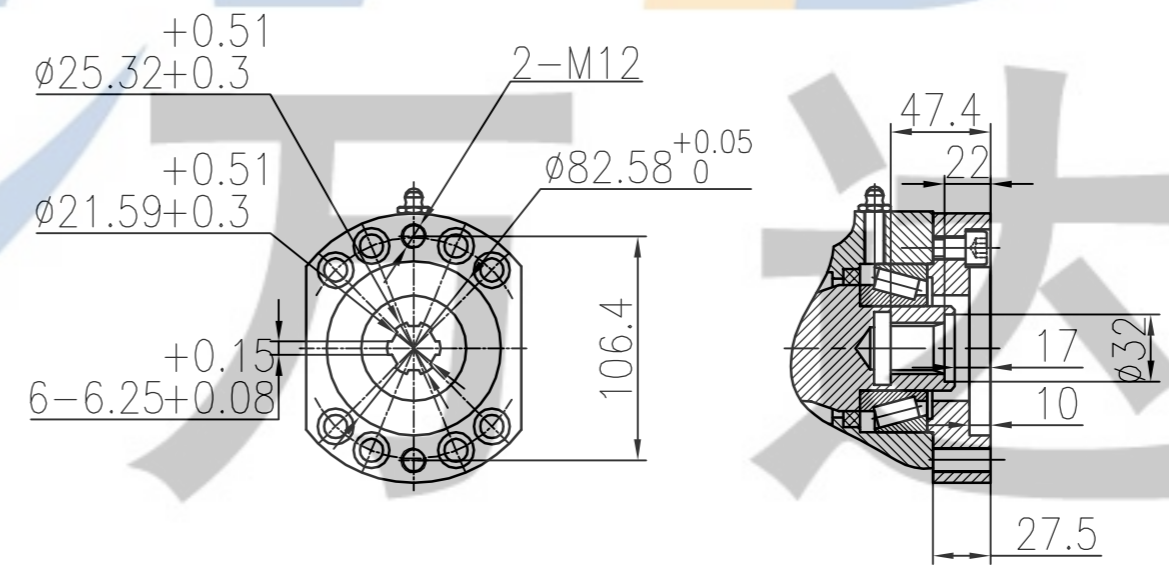
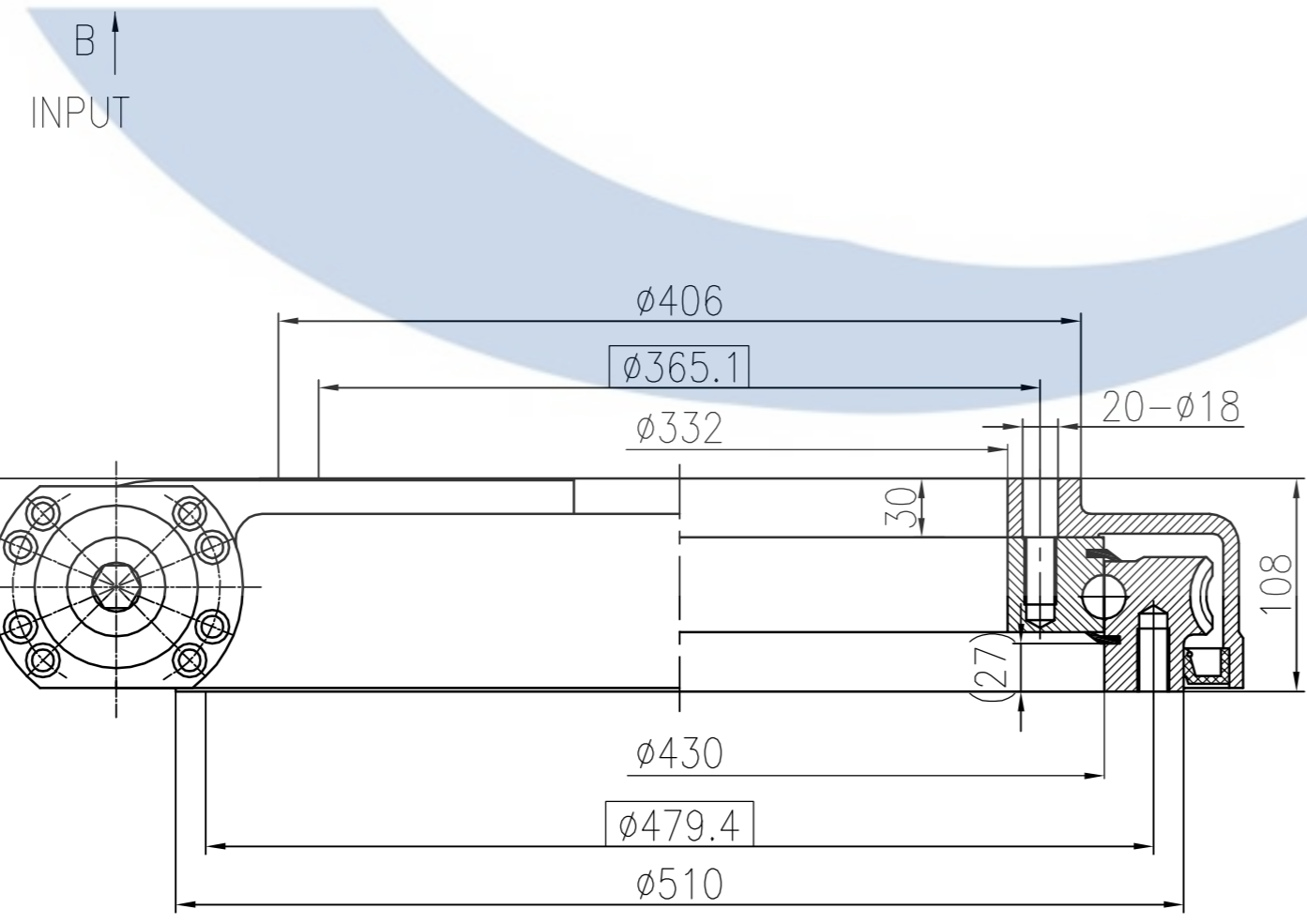
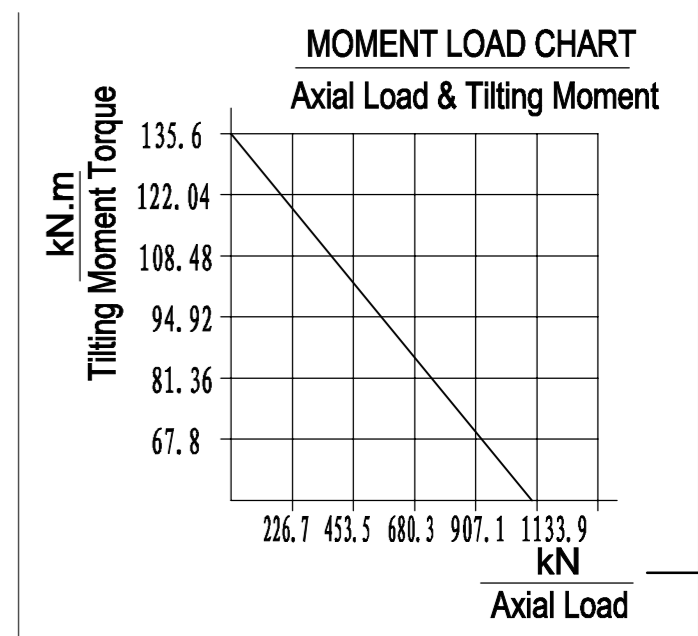


Slewing Drive Performance Data	
Gear Ratio	104:1
Rated Output Torque	12.96kN.m
Tilting Moment Torque	135.6kN.m
Holding Torque	72.3kN.m
Static Axial Rating	1110kN
Static Radial Rating	414kN
Dynamic Axial Rating	266kN
Dynamic Radial	220kN
Tracking Precision	≤0.1°
Self Locking Gears	YES
Weight	96kg
Rated Output Speed	<2 rpm



REV	DATE	REVISER	DESCRIPTION			
DESIGNED BY			Xuzhou Wanda Slewing Bearing Co.,Ltd. www.slew-bearing.com Tel: +86-516-83309366 Fax: +86-516-83915766			
CHECKED BY						
APPROVED BY						
ALL PROPRIETARY RIGHTS IN THE SUBJECT MATTER HERE OF ARE RESERVED, AND NO PERMISSION IS GRANTED OR TO DISCLOSE REPRODUCE THIS PRINT IN WHOLE OR IN PART, ANY OF THE INFORMATION TO OTHERS.			WEIGHT	SCALE	SLEWING DRIVE	
SYMBOLE ISO	SIZE	A3	SHEET	1/1		
					WEA17-104-BH-R	REV A